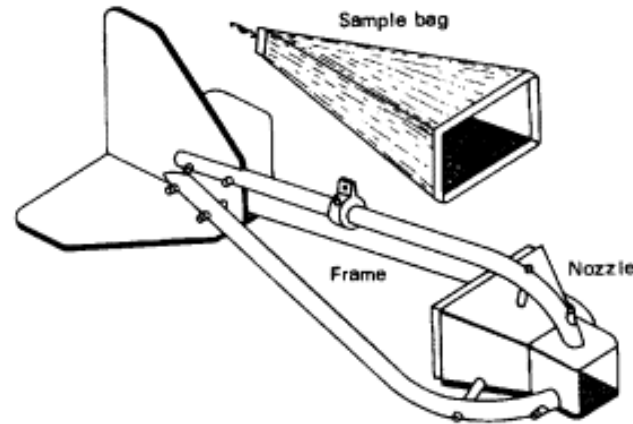


Bed Load Sampler



This is a 18 kg (approximate) cable-suspended bed load sampler with 3" x 3" (76 mm x 76 mm) opening and 1.4 expansion ratio. A tailfin arrangement provides flow direction orientation and sliding collar allows adjustment of balance point based on stream flow conditions. The collar is set so that the sampler will touch the water tail first to aid in rapid orientation with the streamlines of flow. This suspension attitude also insures that the sampler orifice will lift up immediately when the unit is raised from the bed to eliminate loss of sample. This sampler uses a style #3 nylon mesh sampler bag (sold separately).

Bed Load Sampler



Bedload movement can be highly variable in coarse-grained systems, both spatially and temporally. Spatially, transport often occurs in zones, the position of which is unpredictable and does not always correspond with the highest velocity or shear stress. Additionally, zones of high transport may shift position with flow level. Temporally, transport has been associated with the movement of bedforms, clusters, sheets, or pulses, which are often independent of variations in discharge

DUQE Square Business Centre, Quarter
Deck, Queen Elizabeth 2, Mina Rashid,
Dubai (United Arab Emirates)

Tel. +971-525829733

E-mail: sales@instrumex.ae

Represented by

****Drawing/specifications are subjected to change at any time without prior notice as per manufacturing suitability.**